



MIGHTY LUBE® CLEANING BRUSHES

For Enclosed Track Conveyors

INCLUDED IN THIS PACKAGE



Model 8075B Chain Cleaners

- Removes dirt and debris from enclosed track conveyor chains and bearings
- Non-Sparking Brushes
- Reduces: particulate build-up and fall out, re-work of painted parts, labor of cleaning conveyor
- Spring Loaded for more even cleaning

REPLACEMENT BRUSHES

#50RB Sides (4) / #75RB Top (1)

ALSO AVAILABLE:



Model RW91 Channel Sweeps

- Removes dirt and debris from the internal conveyor track surfaces to improve grounding and reduce rejects
- For best results, install Channel Sweep every 250' of chain
- Easily installed by replacing a single chain link
- Non-Sparking, Replaceable Brushes

REPLACEMENT BRUSHES

#91312RB (4)

** Brass brushes are standard for assemblies and replacement brushes. Stainless Steel brush assemblies and replacement brushes are also available.*

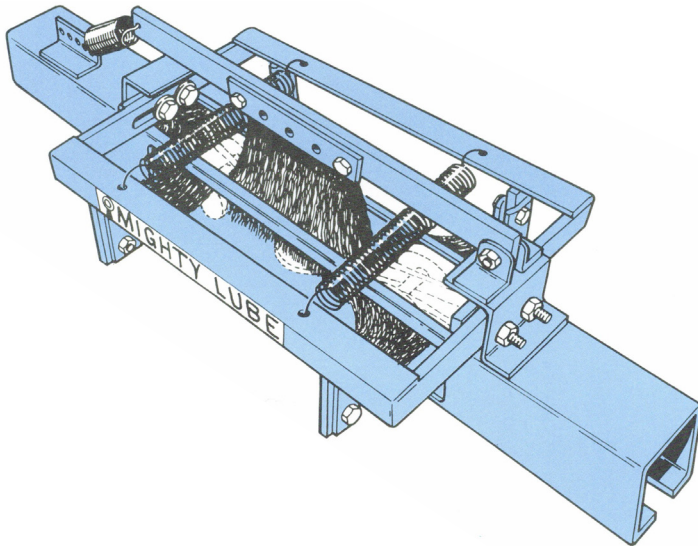


MIGHTY LUBE®
Systematic Lubrication, Inc.

9569 W 40TH ST • FREMONT, MI 49412 | PHONE 231-924-6160
WWW.MIGHTYLUBE.COM



8075B CHAIN CLEANER INSTRUCTIONS



REPLACEMENT BRUSHES

#50RB Sides (4)

#75RB Top (1)

INSTALLATION

1. Select a flat track section approximately 30" long, preferably just prior to entering the washer. Do not place brush where debris may fall on personnel or contaminate parts.
2. Remove a section of the rail equal to the length of the brush cleaning system. Be sure the ends to be welded are clean and square.
3. Weld the brush cleaner into place. Be sure that the direction of travel is correct according to the stickers on the brush cleaner.

SPECS: Units are pre-mounted on modified rail section | 30" L x 10" W x 7" H | Weight: 25 pounds



MIGHTY LUBE[®]
Systematic Lubrication, Inc.

9569 W 40TH ST • FREMONT, MI 49412 | PHONE 231-924-6160

WWW.MIGHTYLUBE.COM